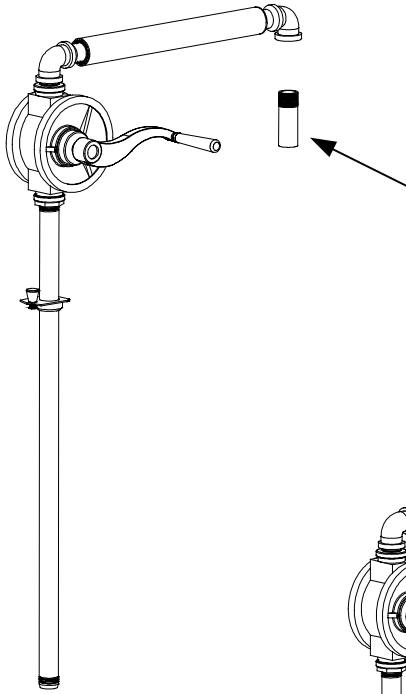
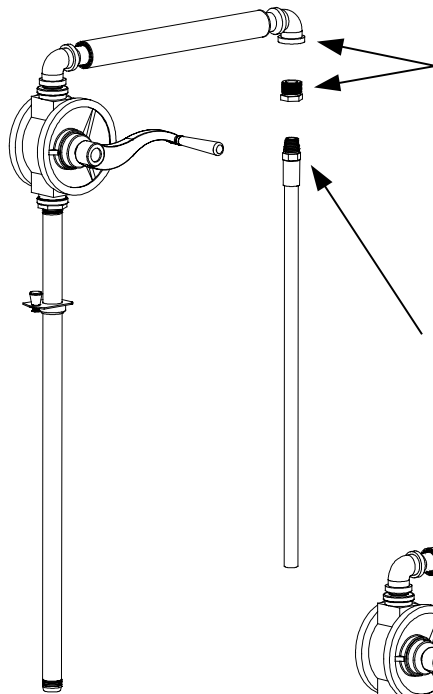


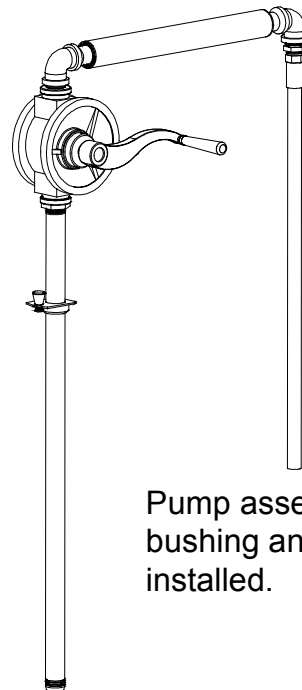
# SDU DISCHARGE HOSE RETROFIT KIT INSTALLATION INSTRUCTIONS



**STEP 1:**  
Remove nipple from pump  
assembly and discard.



**STEP 2:**  
Apply thread sealer to  
outside threads of bushing  
and screw bushing securely  
into elbow from which the  
nipple was removed..



**STEP 3:**  
Apply thread sealer to  
threads of hose fitting and  
screw fitting securely into  
bushing.

Pump assembly with  
bushing and hose  
installed.